

500 Series Standard Barrels and Accessories

500 Series Dispensing Components

An established, long-standing product design, which continues to provide an excellent choice when value is an important consideration. The 500 series has minimal resistance over the length of the syringe barrel.

500 Series Syringe Barrels - Silicone-Free

Available in high-grade, silicone-free polypropylene for non UV materials, amber for UV protection up to 520nm visible light, and opaque black for maximum light protection.

Size	Pk Qty.	Base	Natural	Amber	Black	I.D. (inch)	O.D. (inch)	Length (inch)
3cc	10	Bevel	5601000		5601012	0.374	0.451	2.830
5cc	10	Bevel	5601001		5601013	0.493	0.573	2.616
10cc	10	Round	5601002	5601008	5601014	0.634	0.739	3.478
10cc	10	Bevel	5601003		5601015	0.634	0.739	3.478
30cc	10	Bevel	5601004	5601009	5601016	0.885	1.001	4.527
30cc	10	Round	5601005	5601010		0.885	1.001	4.527
55cc	10	Round	5601006	5601011	5601017	0.885	1.021	6.846
55cc	10	Bevel	5601007			0.885	1.021	6.846

*Part numbers listed above are for packs of 10, also sold in bulk.

500 Series Air Powered Polyethylene Pistons

Pistons serve two purposes. They spread pressure evenly across the fluid and trap the fluid in the syringe. They also prevent tunneling in higher-viscosity fluids. Pistons should not be used with Cyanoacrylates due to potential stalling caused by blooming of the material.

Size	Pk Qty.	Syringe Base	White PE	Black PE
3cc	50	Bevel	5601018	
5cc	40	Bevel	5601019	
10cc	30	Round	5601020	
10cc	30	Bevel	5601021	5601024
30cc	20	Bevel	5601465	5601462
30/55cc	20	Round	5601022	
55cc	20	Bevel	5601023	5601025

500 Series Industrial Syringe Barrel & Piston Kits

A combined packaged kit of 100 syringes and 100 PE pistons for optimum storage and fast retrieval. White wiper pistons included.

Minimum Quantity 100, sold in multiples of 100.

Size	Pk Qty.	Natural	Amber	Black
3cc	100	5601311		5601319
5cc	100	5601312		5601320
10cc	100	5601313	5601316*	5601321
30cc	100	5601314	5601317	5601322
55cc	100	5601315	5601318*	

*Round bottom barrel

500 Series Syringe Barrel Pistons - Rubber, Lubricated

Soft black neoprene pistons are used to prevent tunneling in high-viscosity fluids. Care should be taken to ensure the piston is suitable for the dispensing application.

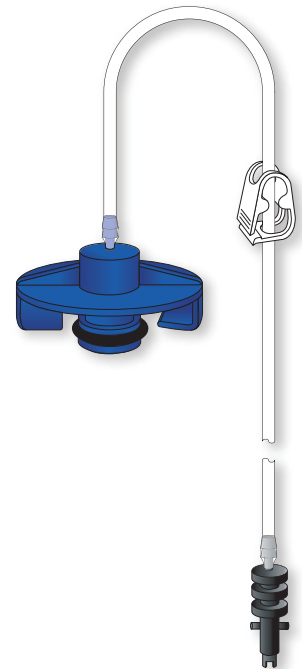
Size	Pk Qty.	Piston
3cc	10	5601066
5cc	10	5601067
10cc	10	5601068
30/55cc	10	5601069



500 Series Syringe Barrel Adapters

Syringe barrel adapter assemblies connect a syringe to a time/pressure controller. They provide a convenient, quick connect at the controller and the syringe barrel and are available in two tube lengths and O.D sizes.

Size	Pk Qty.	3ft (91cm)	6ft (152cm)	3ft (91cm) Includes Filter
Hose 1/8" (3.175mm) OD <i>blue adapter head, includes safety clip</i>				
3cc	1	5601034	5601038	5601490
5cc	1	5601035	5601039	5601491
10cc	1	5601036	5601040	5601492
30cc	1	5601468	5601469	5601493
55cc	1	5601037	5601041	5601494
Hose 1/4" (6.35mm) OD <i>black adapter head, includes safety clip</i>				
5cc	1	5601027	5601031	5601451
10cc	1	5601028	5601032	5601452
30cc	1	5601466	5601467	5601471
55cc	1	5601029	5601033	5601453



500 Series Adapter Fitting With O-Ring, No Hose

Size	Pk Qty.	1/8" 3.175mm OD (blue)	1/4" 6.35mm OD (black)
3cc	1	5601478	
5cc	1	5601479	5601455
10cc	1	5601480	5601456
30cc	1	5601481	5601460
55cc	1	5601482	5601457

500 Series Syringe Barrel Adapter O-Rings

Replacement O-rings for syringe barrel adapters in standard Buna N and solvent-resistant Viton.

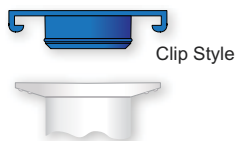
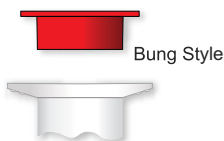


Size	Pk Qty.	Buna N	Viton (Solvents)
3cc	10	5601042	5601046
5cc	10	5601043	5601047
10cc	10	5601044	5601048
30cc	10	5401017	5401024
55cc	10	5601045	5601049

500 Series Syringe Barrel End Caps

Red polyethylene end caps secure the neck opening of the syringe barrel when not in use or in storage. Blue clip-style, quick-twist end caps ensure air-tight seal.

Size	Pk Qty.	End Cap Bung	End Cap Clip
3cc	10	5601050	5601070
5cc	10	5601051	5601071
10cc	10	5601052	5601072
30/55cc	10	5601053	5601073



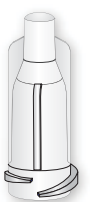
500 Series Tubing, Safety Clips, Clamps, Fluid Filter Traps and Quick-Connect

Filter traps and safety clips are indispensable accessories for low-viscosity fluids.

Item	Pk Qty.	Part #
Tube 1/8"	x 1ft	5606030
Safety clip 1/8"	1	5606034
Male connect 1/8"	1	5606035
Tube 1/4"	x 1ft	5601060
Safety clip 1/4"	1	5601061
Tube clamp 1/4"	1	5601062
Tube clamp 1/4"	1	5601063 Tool needed
Male connect 1/4"	1	5601064
Fluid filter trap 1/4"	1	5601065 Includes clamps

500 Series Syringe Barrel Tip Caps

Size	Pk Qty.	Tip Cap	Color
Fits all	10	5601054	Natural
Fits all	100	5601055	Natural
Bulk	100+	5601427	Natural
Fits all	10	5601056	White
Fits all	100	5601057	White
Bulk	100+	5601472	White
Fits all	10	5601058	Black
Fits all	100	5601059	Black
Bulk	100+	5601428	Black



500 Series Syringe Barrel Flat-Base Tip Caps

Size	Pk Qty.	Tip Cap	Color
Fits all	50	5401010	Blue
Fits all	100	5401011	Blue

